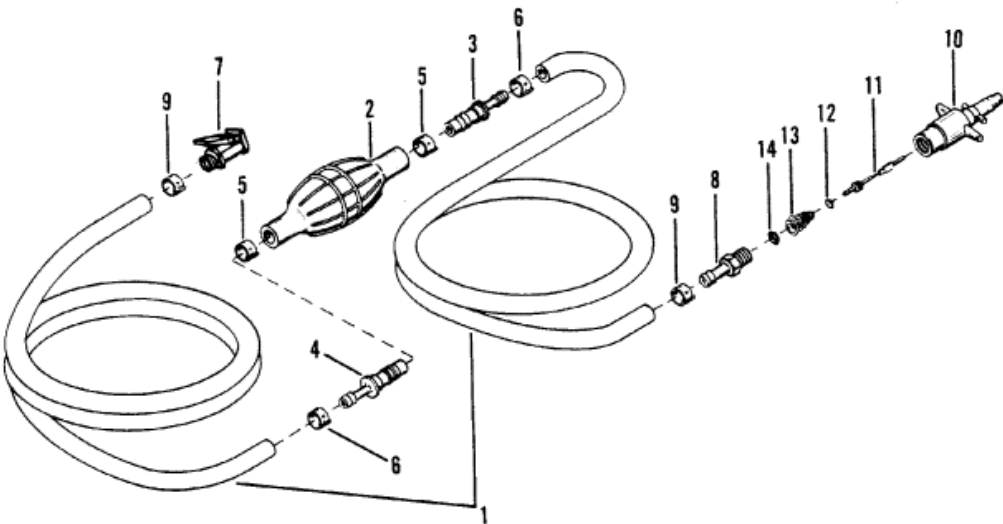


**"CLIP-ON"
DISCONNECT**



				Parts List		
Ref	Class	Part	Description	Qty	Comment	Footnote
1	32	17146A 8	FUEL LINE KIT (8')	1		
1	32	17146A12	FUEL LINE KIT (12')	1		
2		89396A38	PRIMER BULB KIT	1	1/4" I.D. HOSE	
3	21	13883A 3	CHECK VALVE, INLET	1	1/4" I.D. HOSE	
4	21	13883A 4	CHECK VALVE, OUTLET	1	1/4" I.D. HOSE	
5	54	89215	CLAMP, PRIMER BULB (LARG	2	1/4" I.D. HOSE	
6	54	41582 5	CLAMP, PRIMER BULB (SMAL	2	1/4" I.D. HOSE	
7	22	14213M	CONNECTOR, ENGINE	1	1/4" I.D. HOSE	
2		13330A 3	PRIMER BULB KIT	1	5/16" I.D. HOSE	
3	21	13331A 1	CHECK VALVE, INLET	1	5/16" I.D. HOSE	
4	21	13331A 2	CHECK VALVE, OUTLET	1	5/16" I.D. HOSE	
5	54	41582 10	CLAMP, PRIMER BULB (LARG	2	5/16" I.D. HOSE	
6	54	41582 7	CLAMP, PRIMER BULB (SMAL	2	5/16" I.D. HOSE	
7	22	13563A 3	CONNECTOR, ENGINE	1	5/16" I.D. HOSE	
8	22	89771	CONNECTOR (USE WITH BLAC	1		
8	22	89771 1	CONNECTOR (USE WITH SILVE	1		
9	54	41582 7	CLAMP, CONNECTOR	2		
10		30185A 3	BAYONET BODY (FUEL TANK EN	1	THESE PARTS ARE INCLUDED	
11		30187	STEM, BAYONET BODY	1	THESE PARTS ARE INCLUDED	
12	25	16524	O-RING, BAYONET BODY STEM	1	THESE PARTS ARE INCLUDED	
13	24	30189	SPRING, BAYONET BODY STEM	1	THESE PARTS ARE INCLUDED	
14		30188	WASHER, CUPPED - BODY SPF	1	THESE PARTS ARE INCLUDED	